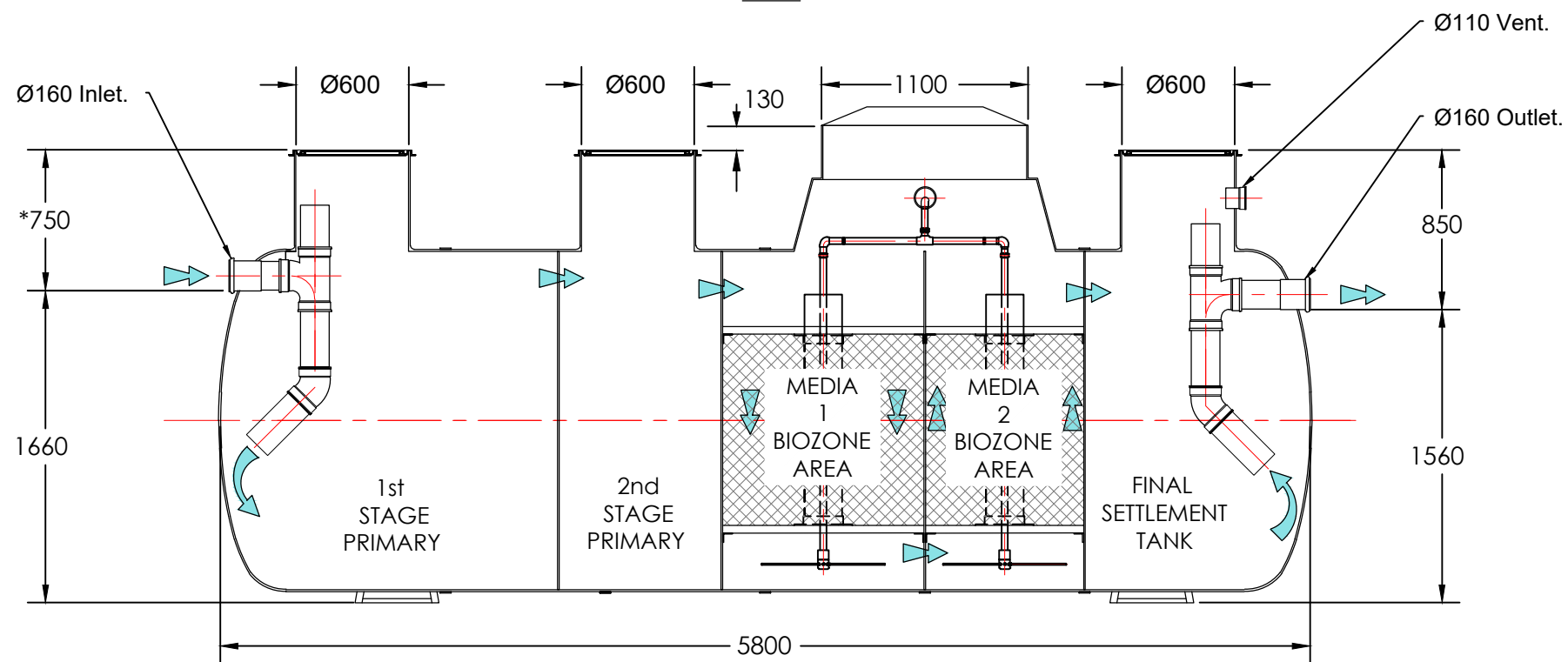
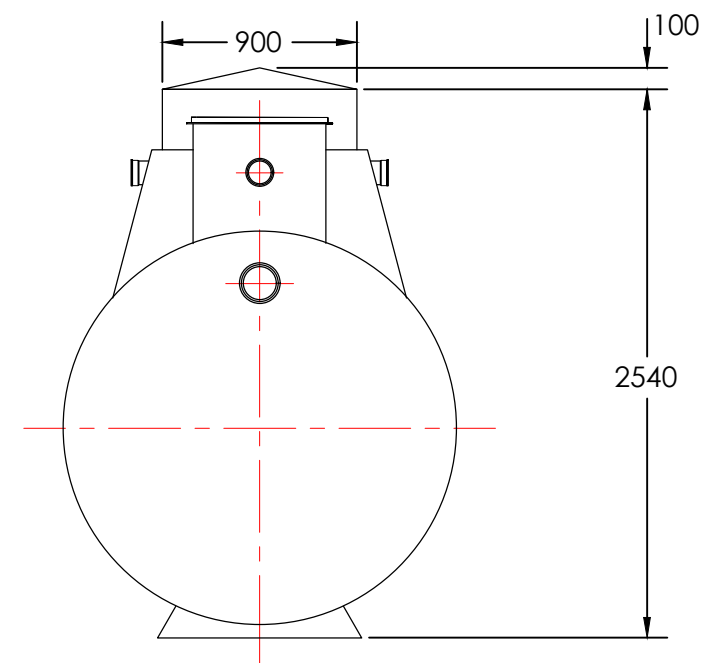


PLAN



SECTION A-A



END VIEW

Note:
*Shallower / Deeper inverts are available.

Croom, Enmore Road, Enmore, Bridgwater, Somerset TA5 2AN
Phone: 0044 (0)1278 671927 Fax: 0044 (0)1278 671963 E-mail: info@synergy-wtp.co.uk
Web: www.synergy-wtp.co.uk

Drawing Title:
P35 Gravity Outlet

**Optima Submerged Aerated Filter
Sewage Treatment Plant (1800 Range)**

All dimensions are in mm. Scale : NTS

Rev:	Revision Details:	Date:	Drawing No : 1st Issue Date :	SD-P35 10/02/2016
			Drawn : NS	 A3
			Chkd : JN	
			Aprvd : JN	