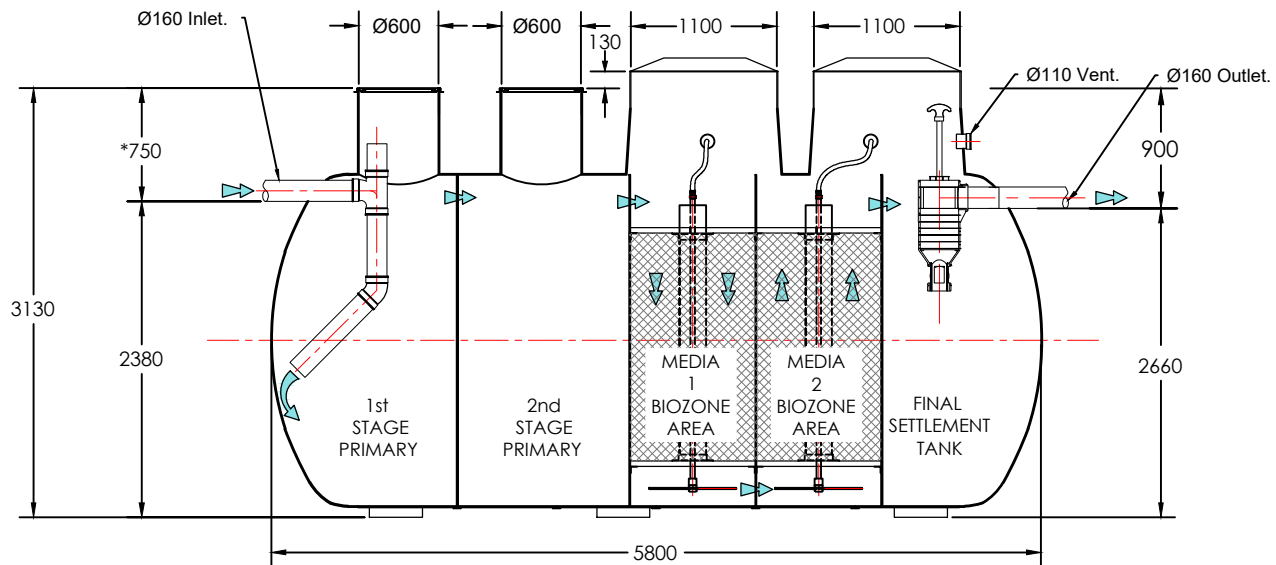
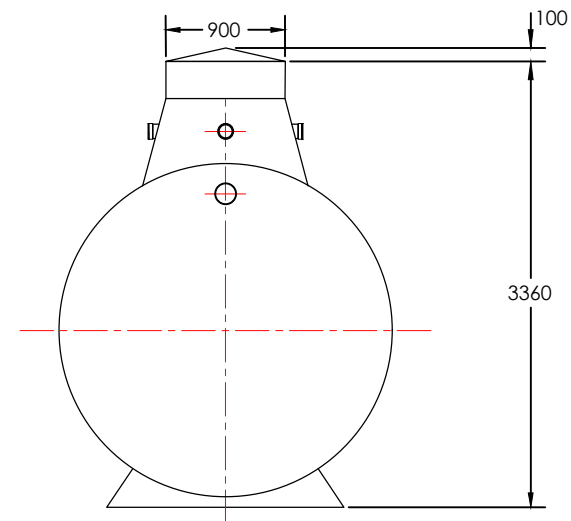


PLAN



SECTION A-A



END VIEW

**Note:**  
\*Shallower/Deeper inverts are available.

Groom, Ermore Road, Ermore, Bridgwater, Somerset TA5 2AN  
 Phone: 0044 (0)1276 671627 Fax: 0044 (0)1276 871983 E-mail: info@synergy-wtp.co.uk  
 Web: www.synergy-wtp.co.uk

Drawing Title:  
**P60 Gravity Outlet**

**Optima Submerged Aerated Filter Sewage Treatment Plant (2500 Range)**

All dimensions are in mm. Scale : NTS

Rev:	Revision Details:	Date:	Drawing No :	SD-P60
			1st Issue Date :	24/02/2016
			Drawn :	NS
			Chkd :	JN
			Aprvd :	JN

A3