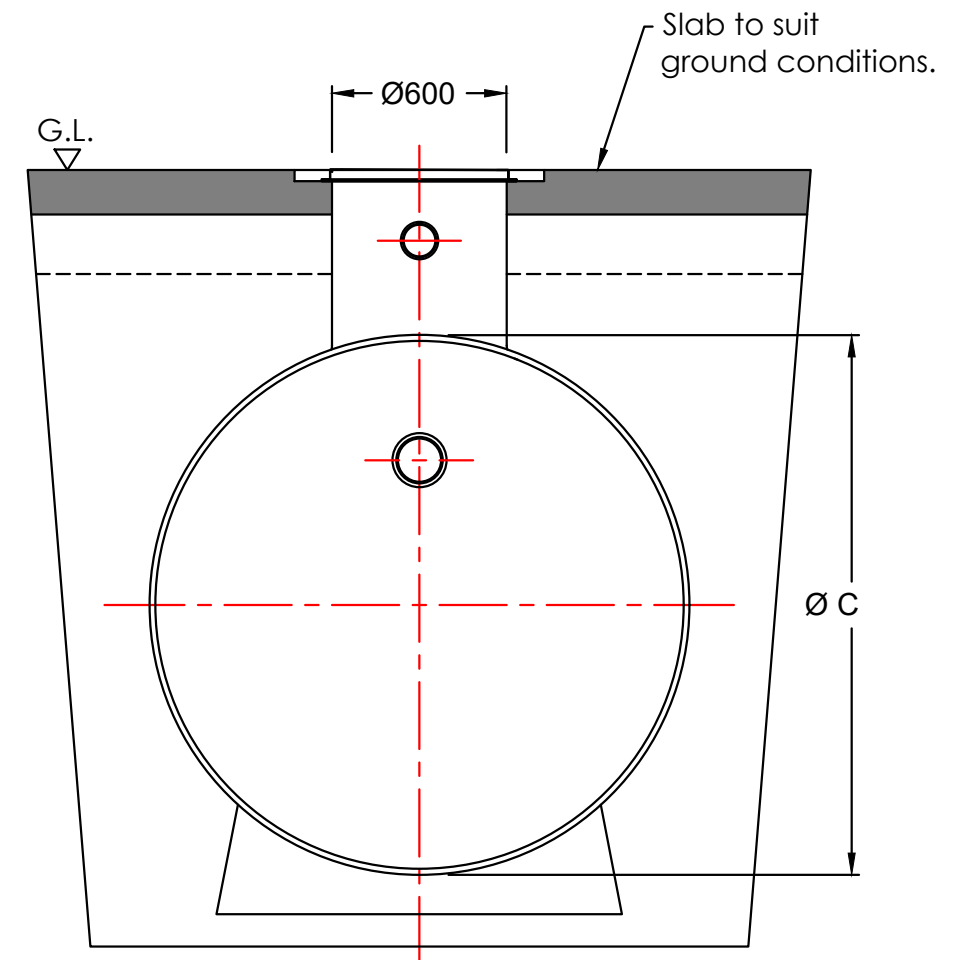


PART SECTION ON E



END VIEW

General Notes:

These tanks can be supplied with Integral 'Parallel Plate Particulate Filters' to the outlet if required.

Installation Notes:

Standard units are suitable for installation to a maximum depth of 1 metre. Heavy duty units are also available.

Capacity in Litres.	Dimensions		Dia of Tank (C)	Height from inlet to floor (D)	Approx Weight (Kg)
	A	B			
18,000	4300	160	2550	2410	820
22,000	5050	160	2550	2410	1000
26,000	5800	160	2550	2410	1150
34,000	7300	160	2550	2410	1470
38,000	8050	160	2550	2410	1640



Croom, Enmore Road, Enmore, Bridgwater, Somerset TA5 2AN  
 Phone: 0044 (0)1278 671927 Fax: 0044 (0)1278 671963 E-mail: info@synergy-wtp.co.uk  
 Web: www.synergy-wtp.co.uk

Drawing Title:  
**SYNERGY CYLINDRICAL SEPTIC TANKS  
 TWO STAGE HORIZONTAL FLOW.  
 18000-38000 LITRES.**

All dimensions are in mm.

Scale : N.T.S.

Rev:	Revision Details:	Date:	Drawing No :	<b>1007-Rev C</b>
A	Re-formatted drawing	03/07/14	1st Issue Date :	<b>17/05/2013</b>
B	New size range.	<b>20/04/15</b>	Drawn : <b>NS</b>	
C	Table additions.	<b>04/06/15</b>	Chkd : <b>JN</b>	
			Aprvd : <b>JN</b>	<b>A4</b>